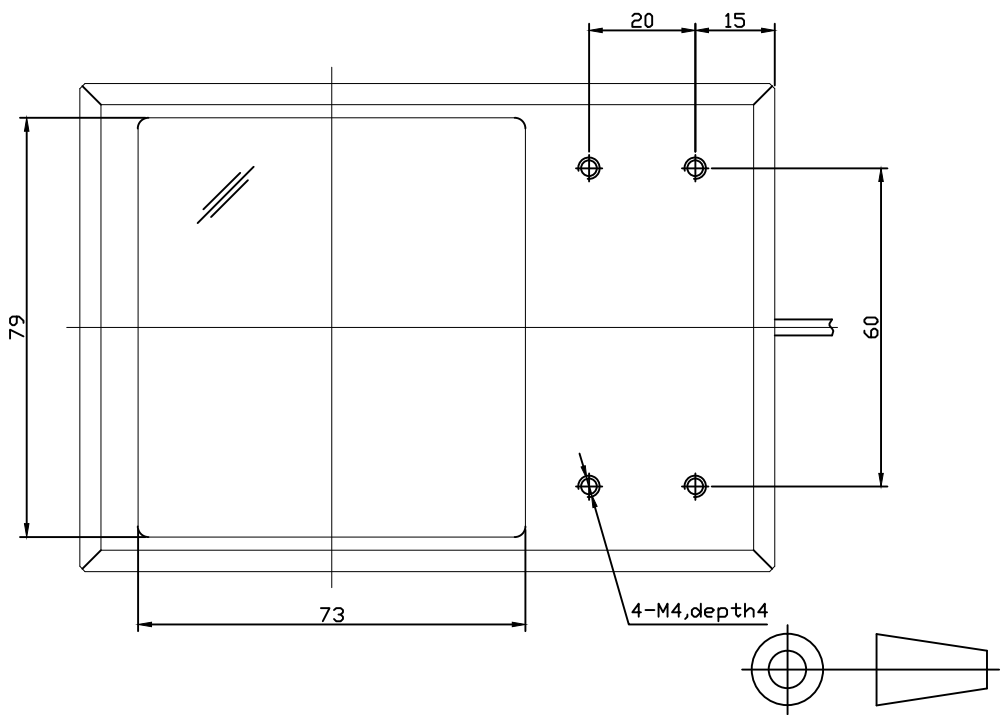
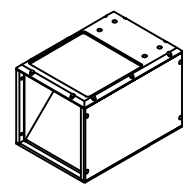
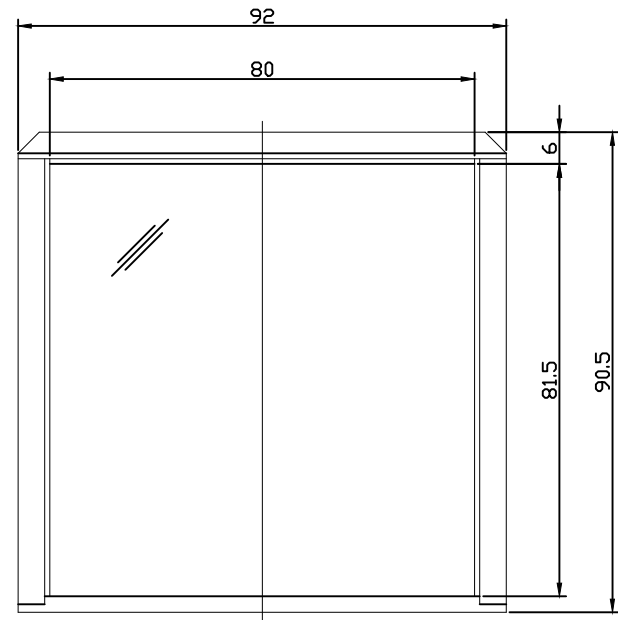
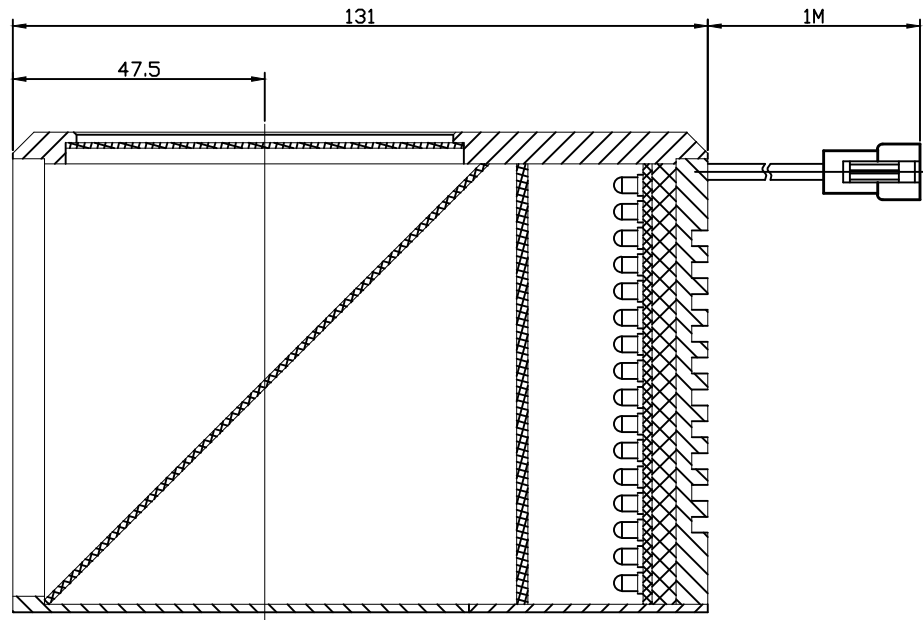


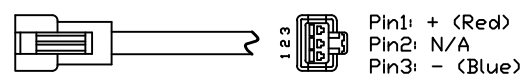
RevNo	Revision note	Date	Signature	Checked
-------	---------------	------	-----------	---------

A
B
C
D
E
F

A
B
C
D
E
F



Details of Connector



Connector Type: SMR-03V-B (Light Side)
SMP-03V-BC (Power Supply Side)

Specification:

MODEL	WLFVB-80-W/-B/-G/-UV	-Y/-R/-IR850/-IR940
Wavelength(nm)	6500K/470/525/390	590/625/850/940
Power Supply	DC24V/17.3(W)	DC24V/11.5(W)
Weight	700g	

Itemref	Quantity	Material: AL	Article No./Reference		
Designed by DESIGNED_BY	Checked by CHECKED_BY	Approved by - date 2014-12-5	Filename WLFVB-80	Date 2014-12-5	Scale 1/1
WAVECREST(SH)			WLFVB-80-USER		
			WLFVB-80-0000	Edition VER.1.0	Sheet 1