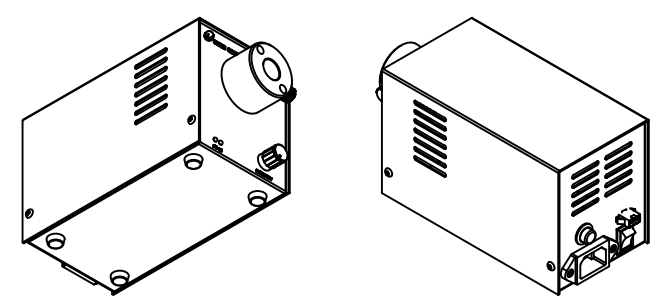
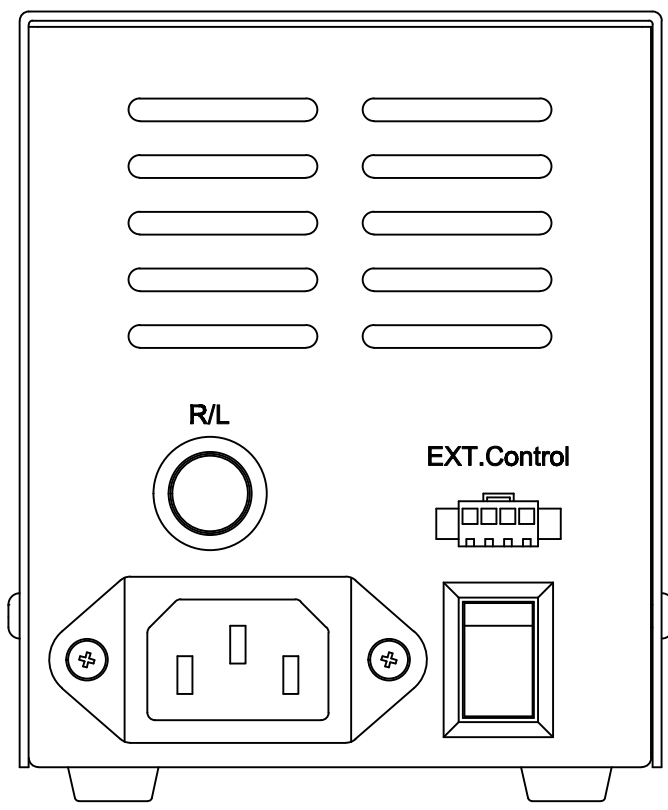
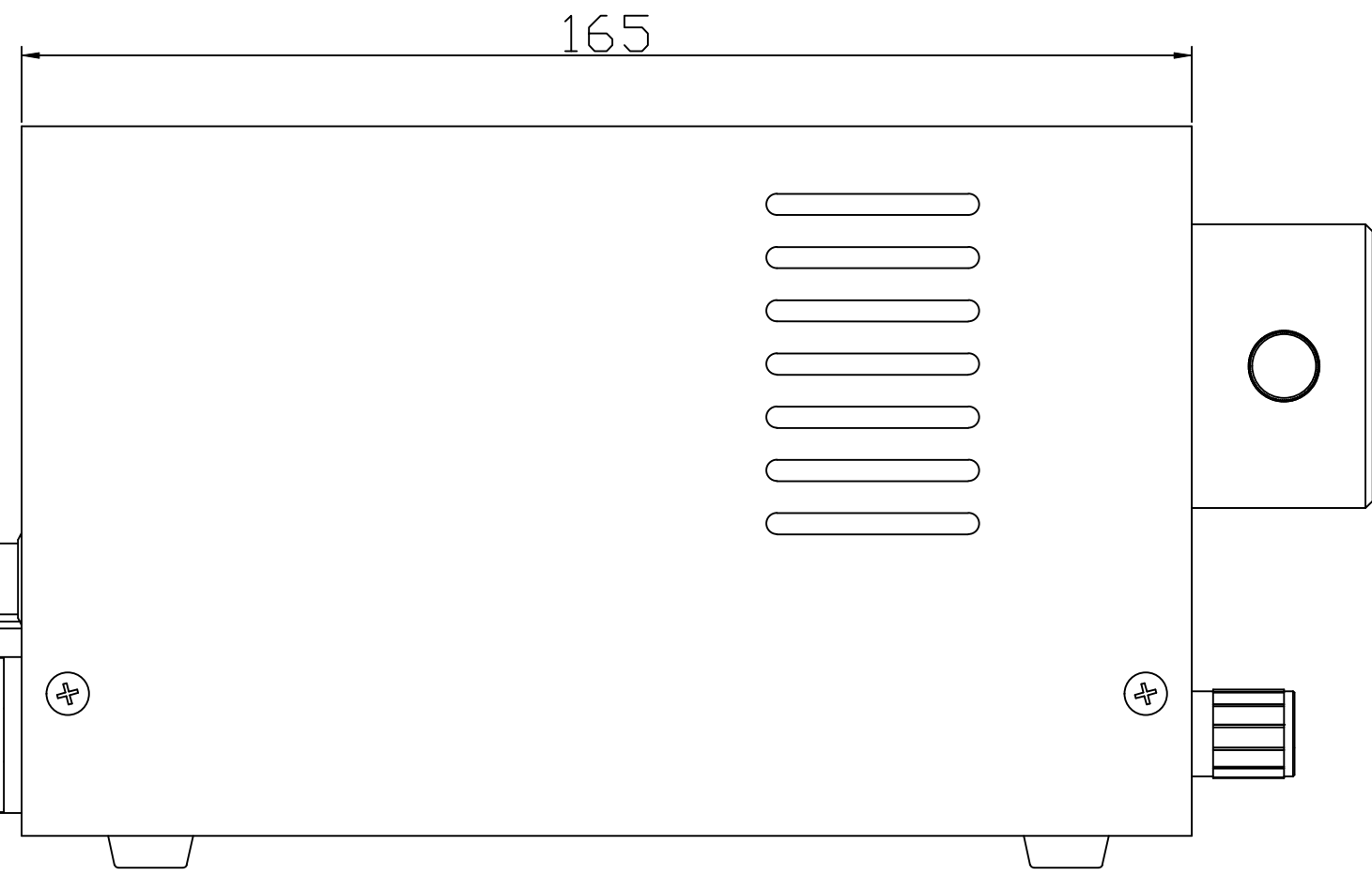
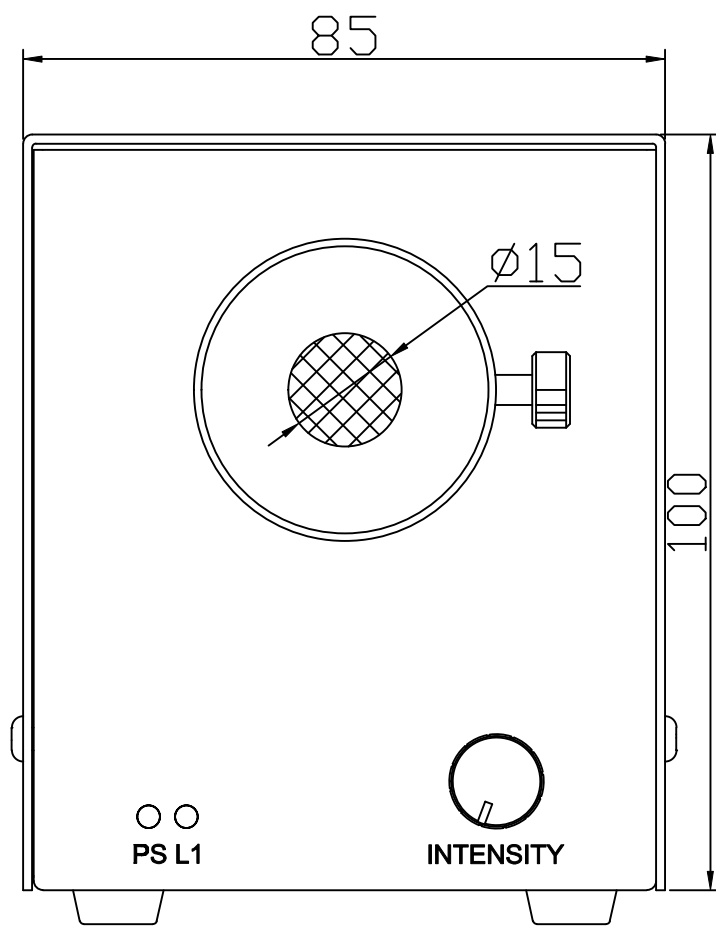


A
B
C
D
E
F



Itemref	Quantity	Material:			Article No./Reference	
Designed by DESIGNED_BY	Checked by CHECKED_BY	Approved by - date 2014-1-1	Filename WFB-30	Date 2014-1-1	Scale 1/1	
WAVECREST(SH)			WFB-30-USER			
			WFB-30-0000		Edition VER.1.0	Sheet 1