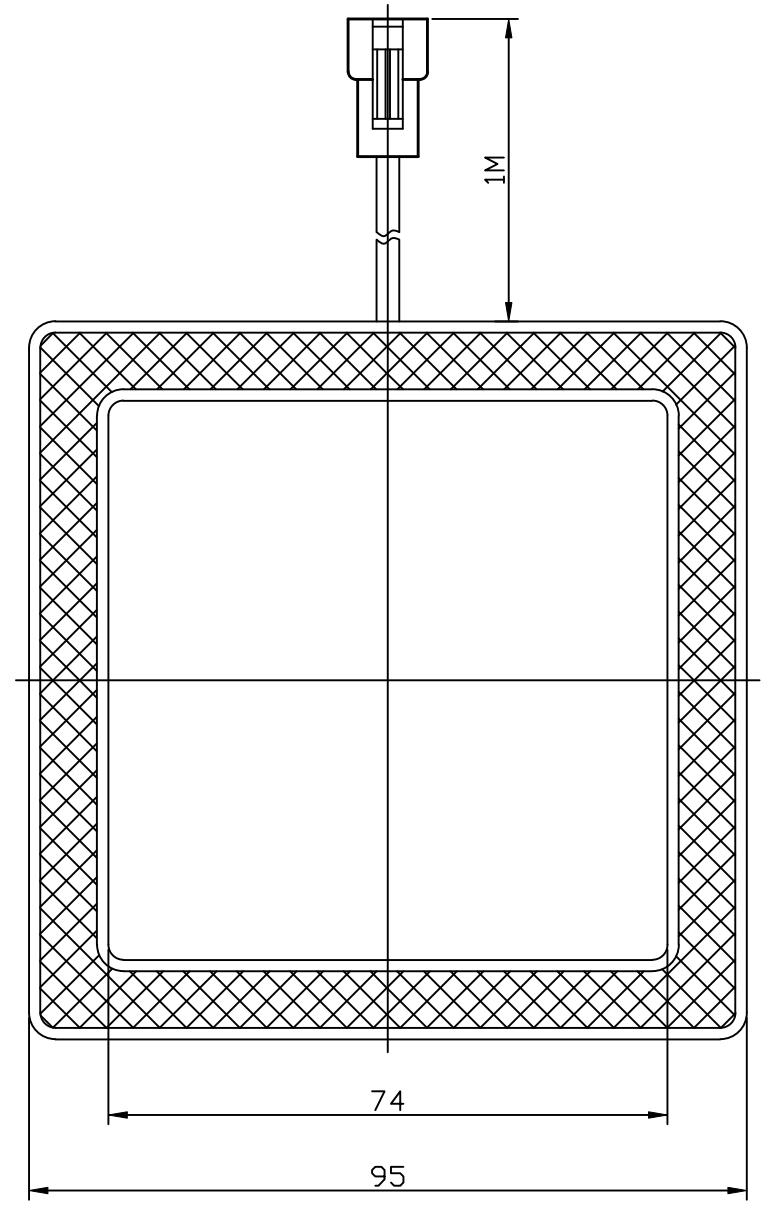
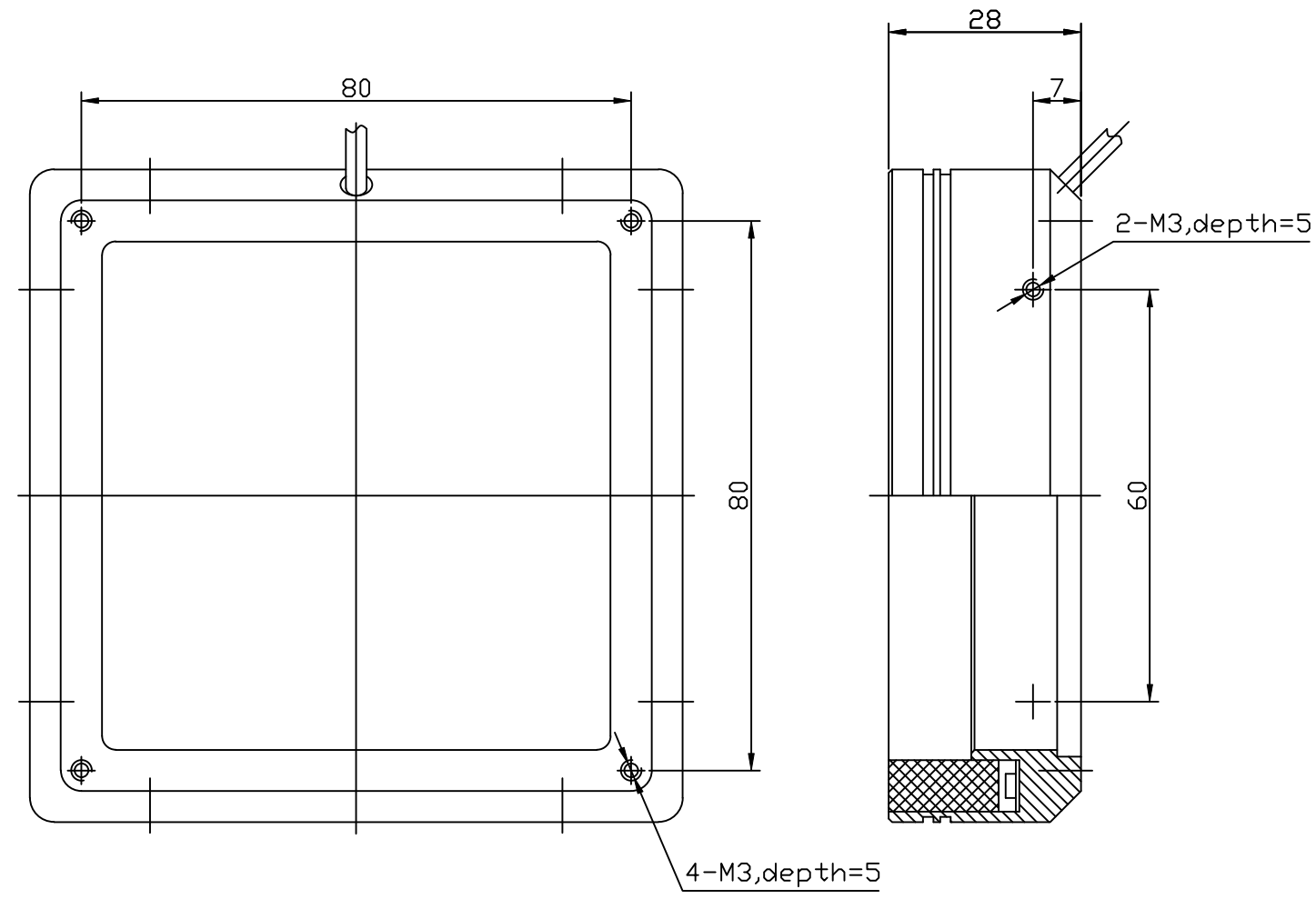
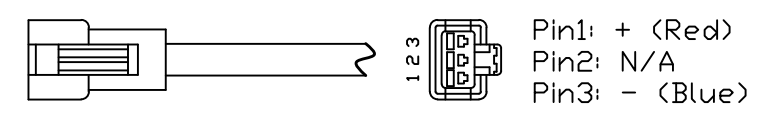


A
B
C
D
E
F

A
B
C
D
E
F



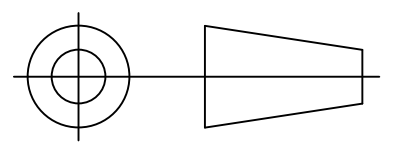
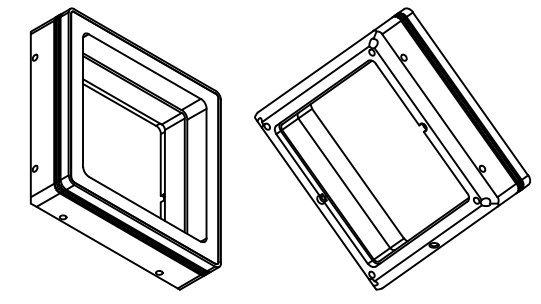
Details of Connector



Pin1: + (Red)
Pin2: N/A
Pin3: - (Blue)
Connector Type: SMP-03V-B (Light Side)
SMP-03V-BC (Power Supply Side)

Specification:

MODEL	WLFL2-SQ95-W/-B/-G/-UV	-Y/-R/-IR850/-IR940
Wavelength(nm)	6500K/470/525/390	590/625/850/940
Power Supply	DC24V/6.9(W)	DC24V/4.6(W)
Weight	170g	



Itemref	Quantity	Material:	Article No./Reference
DESIGNED_BY	CHECKED_BY	Approved by - date 2012-10-10	Filename WLFL2-SQ95 Date 2012-10-10 Scale 1/1
WAVECREST(SH)		WLFL2-SQ95-USER	
		WLFL2-SQ95-0000	Edition VER.1.0 Sheet 1