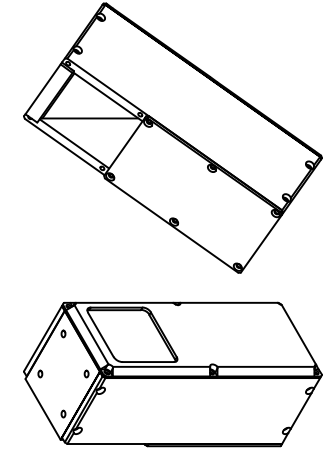
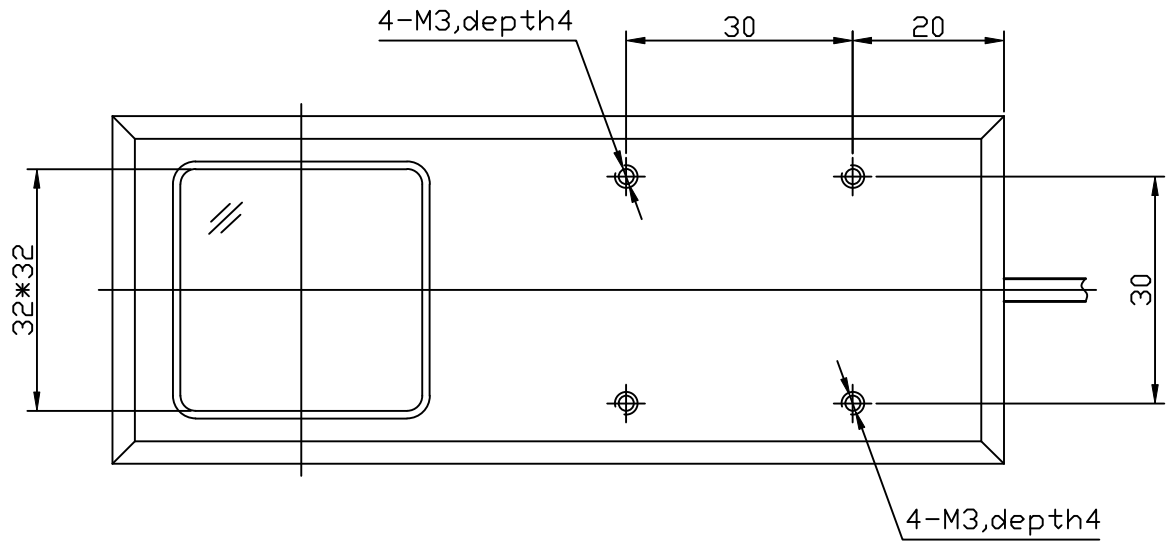
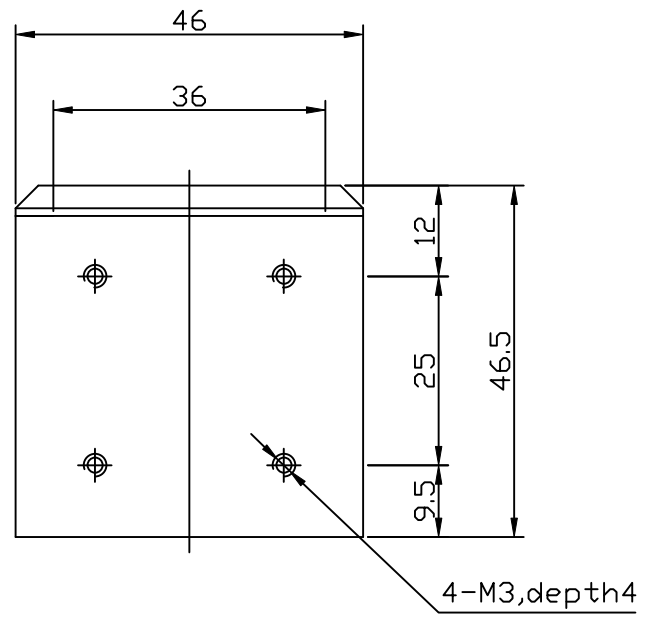
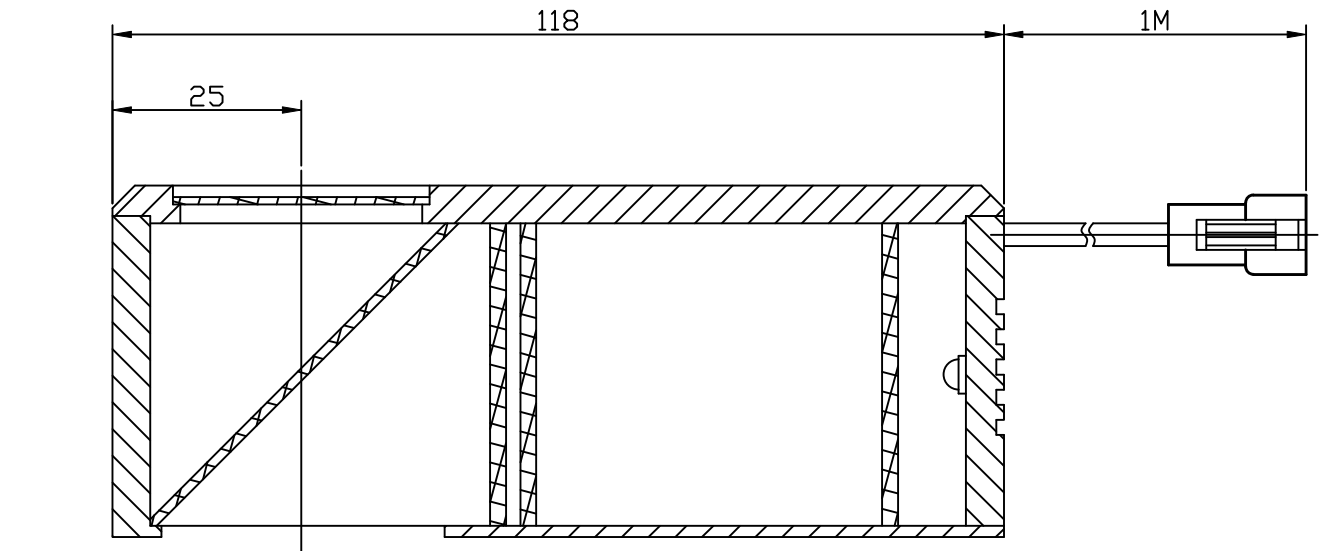
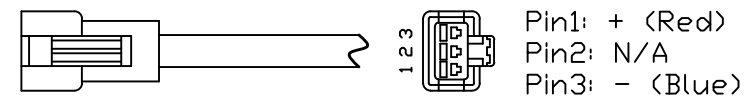


A
B
C
D
E
F

A
B
C
D
E
F



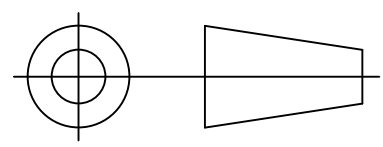
Details of Connector



Connector Type: SMR-03V-B (Light Side)
SMP-03V-BC (Power Supply Side)

Specification:

MODEL	WLFV3-35B-W/-B/-G/-UV	-Y/-R/-IR850/-IR940
Wavelength(nm)	6500K/470/525/390	590/625/850/940
Power Supply	DC24V/6.5(W)	DC24V/4.9(W)
Weight	270g	



Itemref	Quantity	Material: AL	Article No./Reference		
Designed by DESIGNED_BY	Checked by CHECKED_BY	Approved by - date 2014-7-9	Filename WLFV3-35B	Date 2014-7-9	Scale 1/1
WAVECREST(SH)			WLFV3-35B-USER		
			WLFV3-35B-0000	Edition VER.1.0	Sheet 1