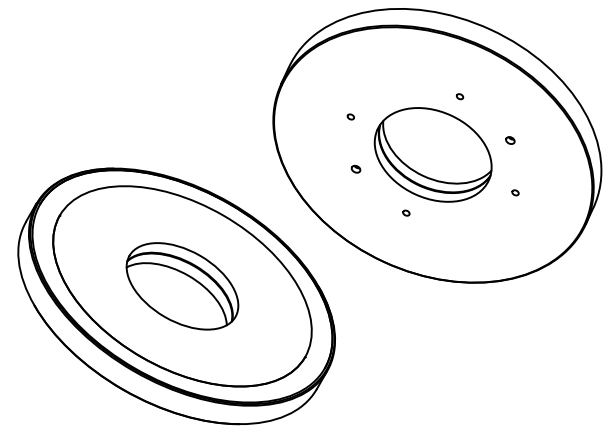
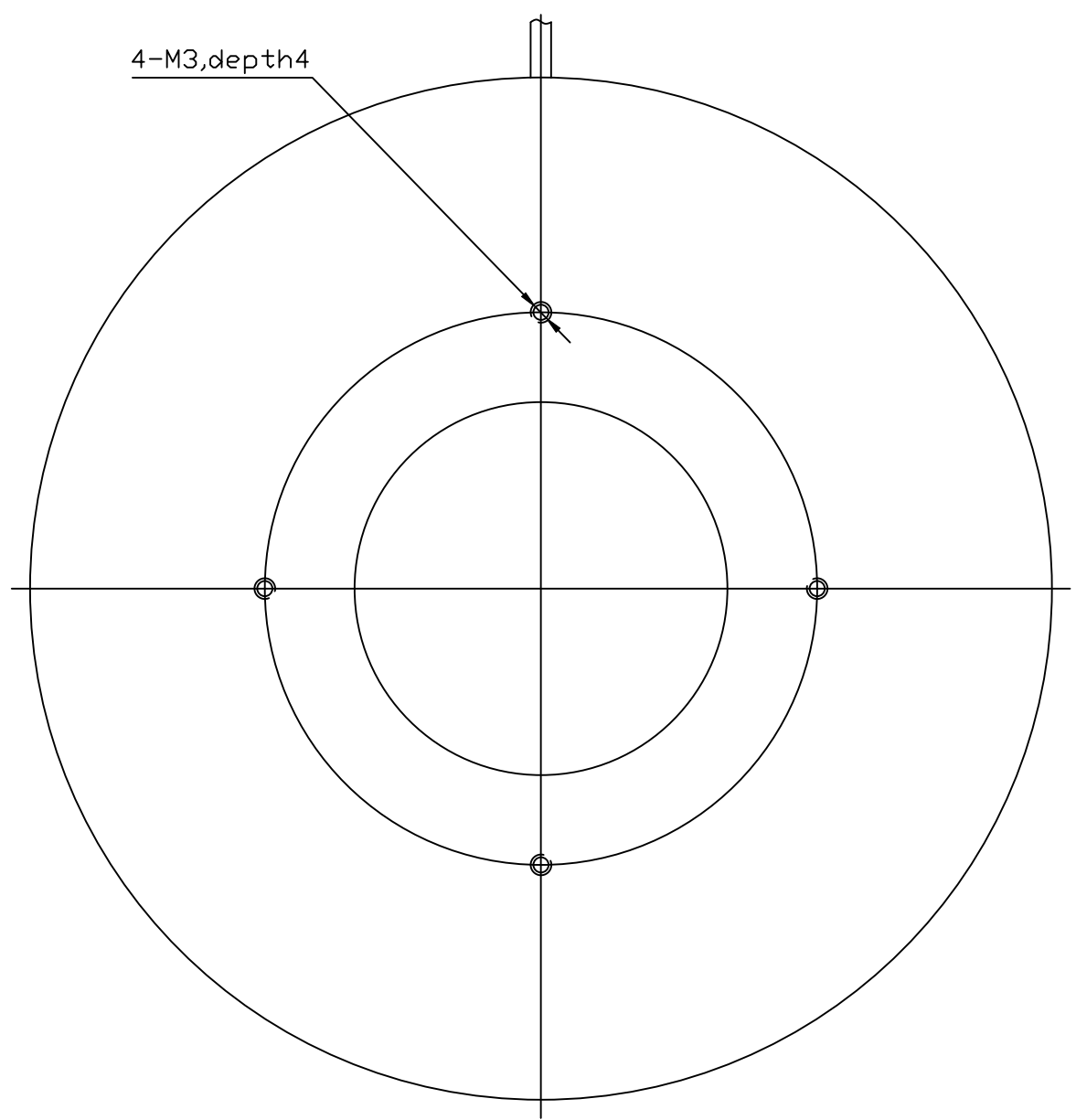
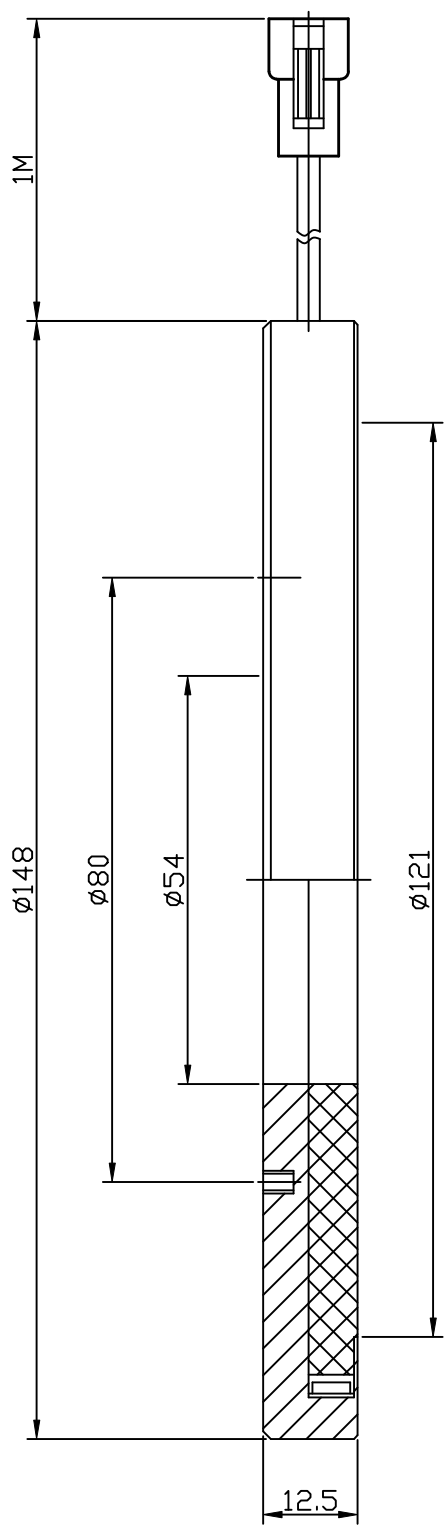
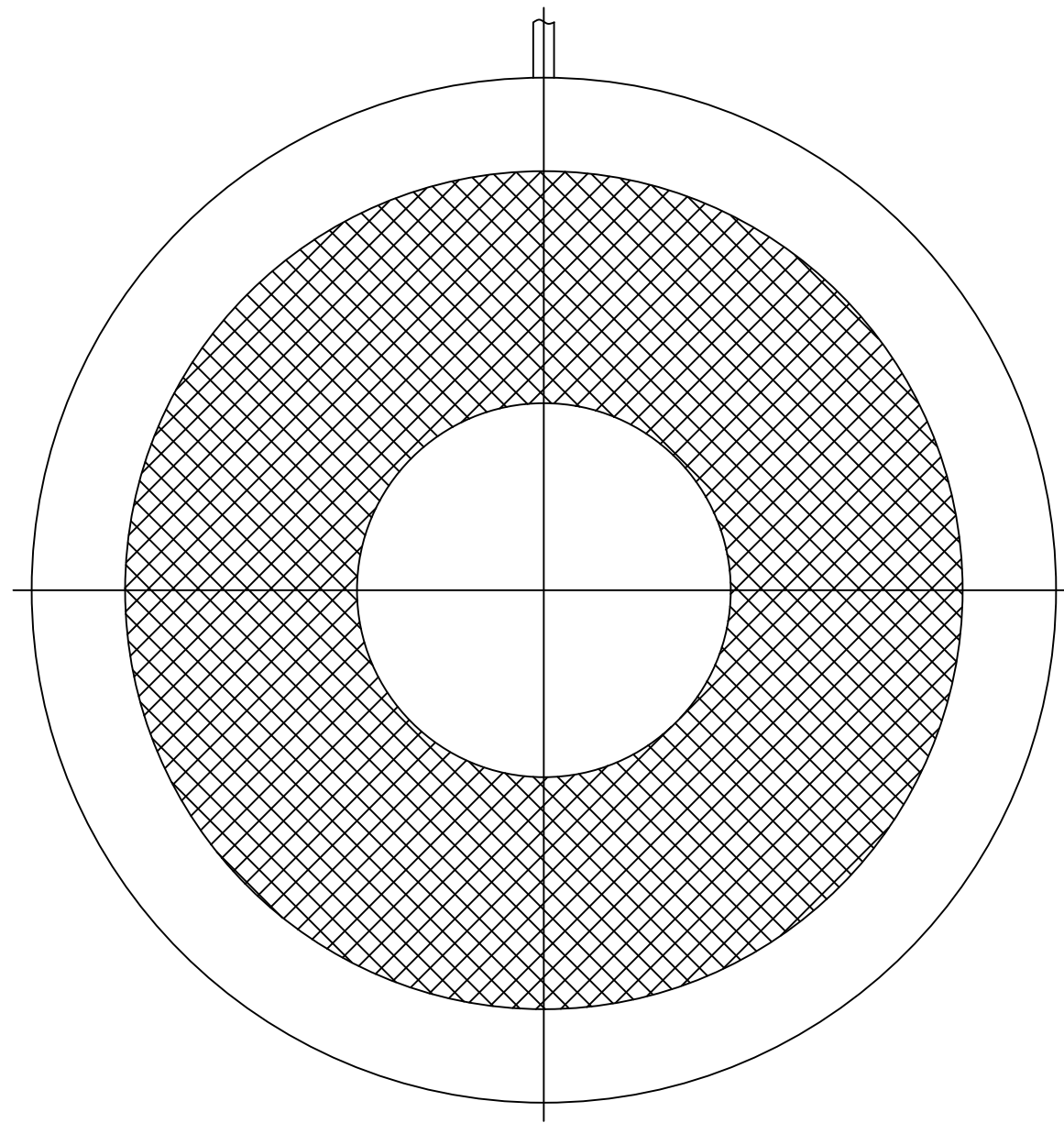
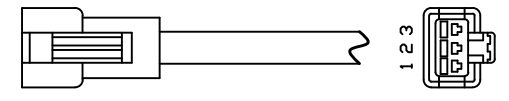


A  
B  
C  
D  
E  
F

A  
B  
C  
D  
E  
F

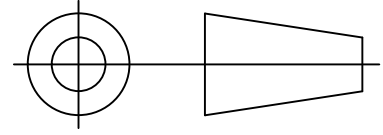


Details of Connector



Pin1: + (Red)  
Pin2: N/A  
Pin3: - (Blue)

Connector Type: SMP-03V-B (Light Side)  
SMP-03V-BC (Power Supply Side)



Specification:

MODEL	WLFR2-150A-W/-B/-G/-UV	-Y/-R/-IR850/-IR940
Wavelength(nm)	6500K/470/525/390	590/625/850/940
Power Supply	DC24V/4.3(W)	DC24V/3.2(W)
Weight	350g	

Itemref	Quantity	Material: AL	Article No./Reference		
Designed by DESIGNED_BY	Checked by CHECKED_BY	Approved by - date 2014-1-1	Filename WLFR2-150A	Date 2014-1-1	Scale 1/1
WAVECREST(SH)			WLFR2-150A-USER		
			WLFR2-150A-0000	Edition VER.1.0	Sheet 1